



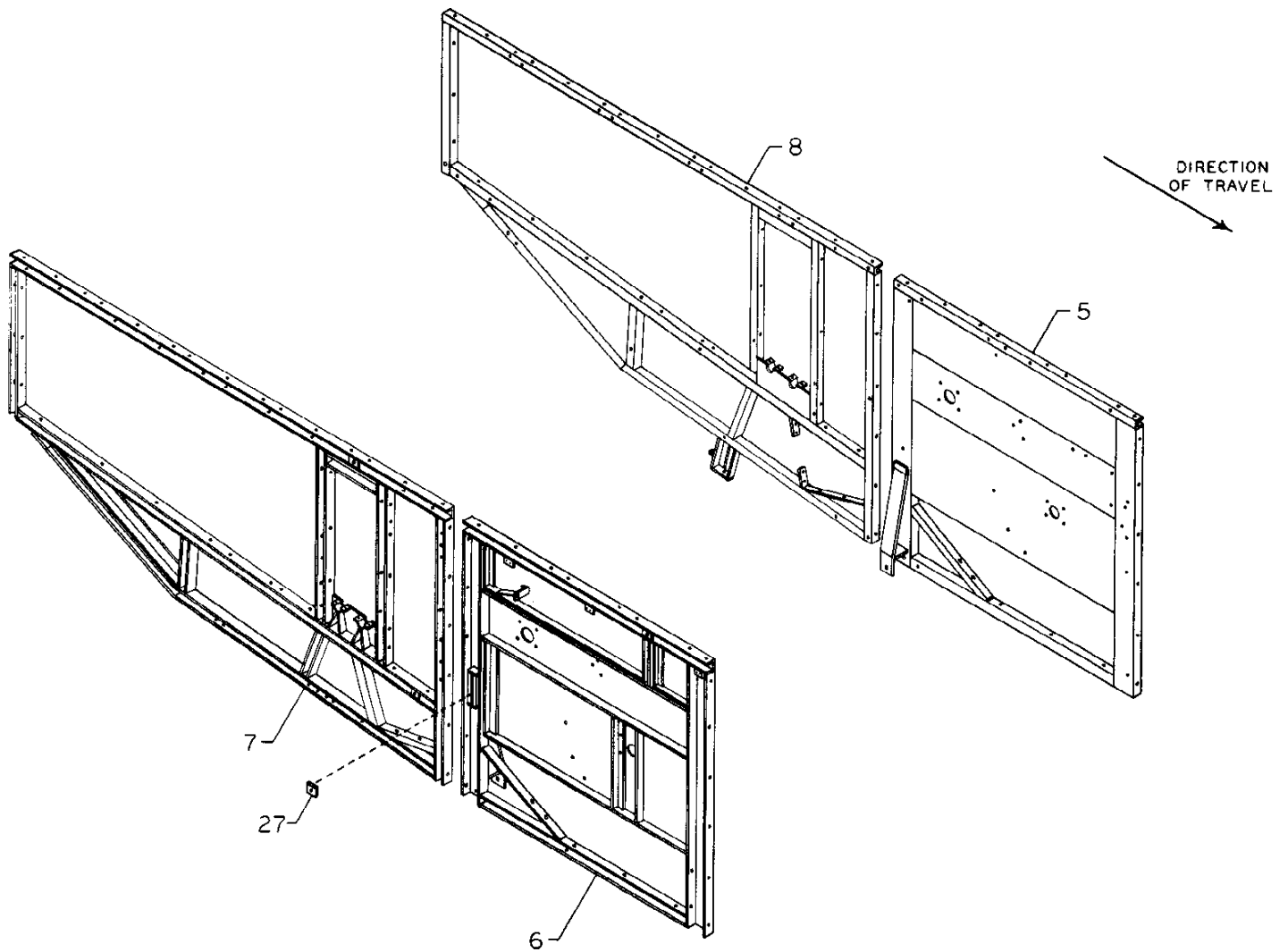
# MODEL 522-A PEANUT COMBINE PARTS CATALOG SUPPLEMENT

## Contents

	PAGE
FRAME SECTION -----	5
COVER AND SHIELD SECTION -----	9
CLEANING SHOE SECTION -----	19
STRAW RACK SECTION -----	21
STEMMER SECTION -----	23
DRIVE SECTION, RIGHT SIDE -----	33

## Note

The page numbers in this supplement correspond with those in the parts catalog.



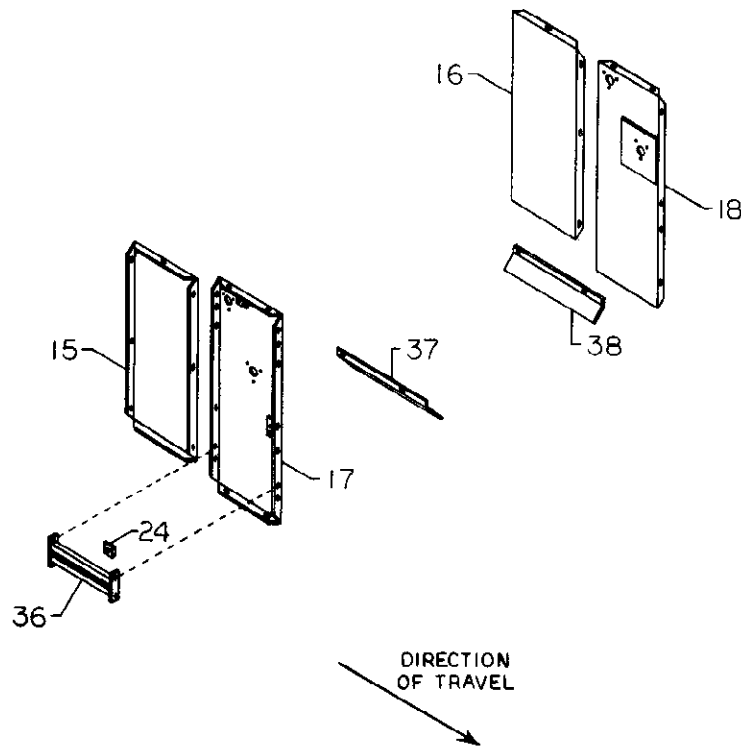
Page 4

FRAME SECTION

No.	Part No.	Description	No. Req'd	Replaces No.
5	9707	Frame, Middle Section, Left	1	9349
6	9708	Frame, Middle Section, Right	1	9350
7	9709	Frame, Rear Section, Right	1	9351
8	9710	Frame, Rear Section, Left	1	9352
27	2020	Nut, 5/8 UNC	1	--

NOTE: Parts 6310, 1011, 3059, 6312, 6315, 7019 and the 1/8 dia. x 5/8 long expansion pin have been deleted due to the updating process.

Page 5

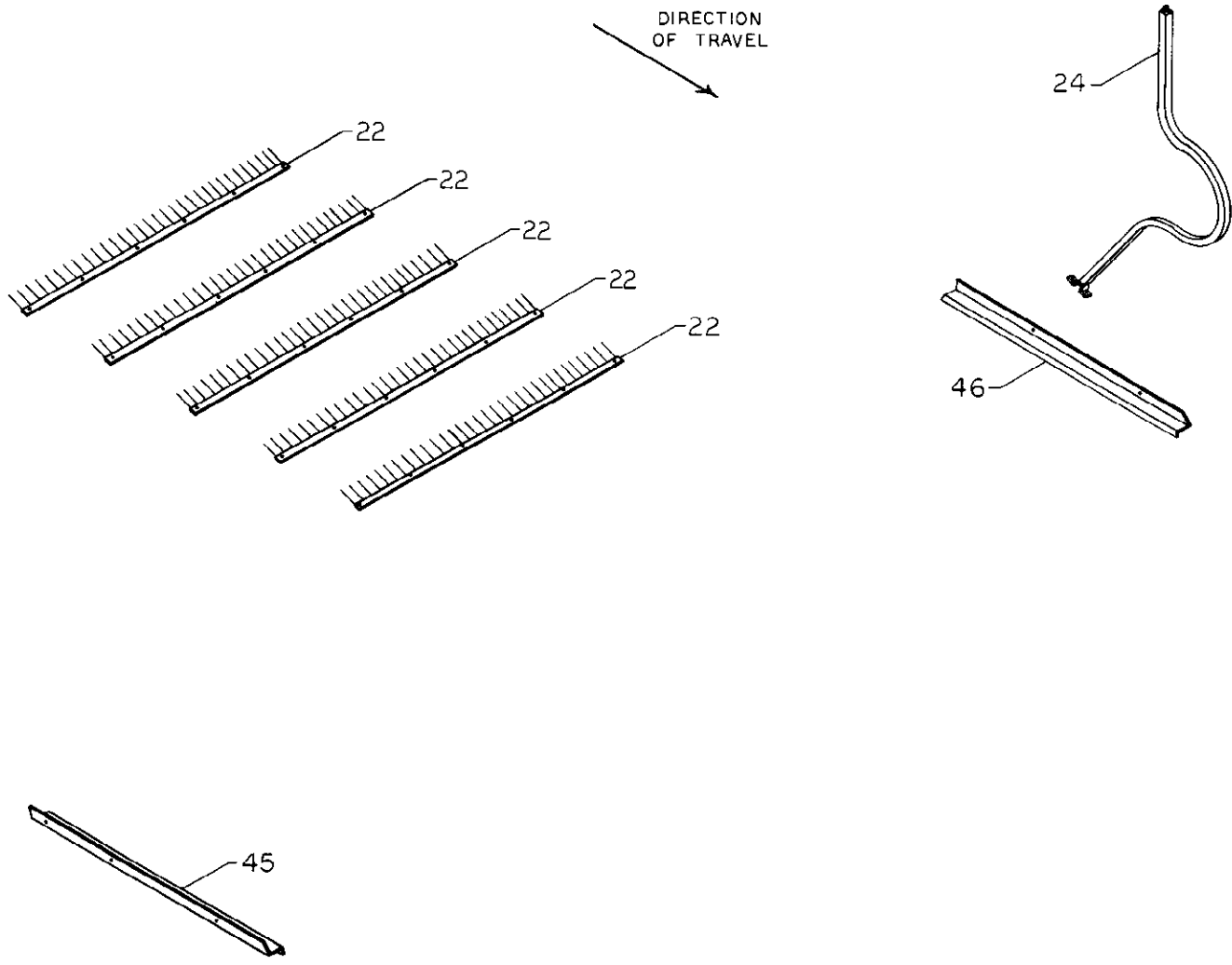


Page 8

COVER AND SHIELD SECTION

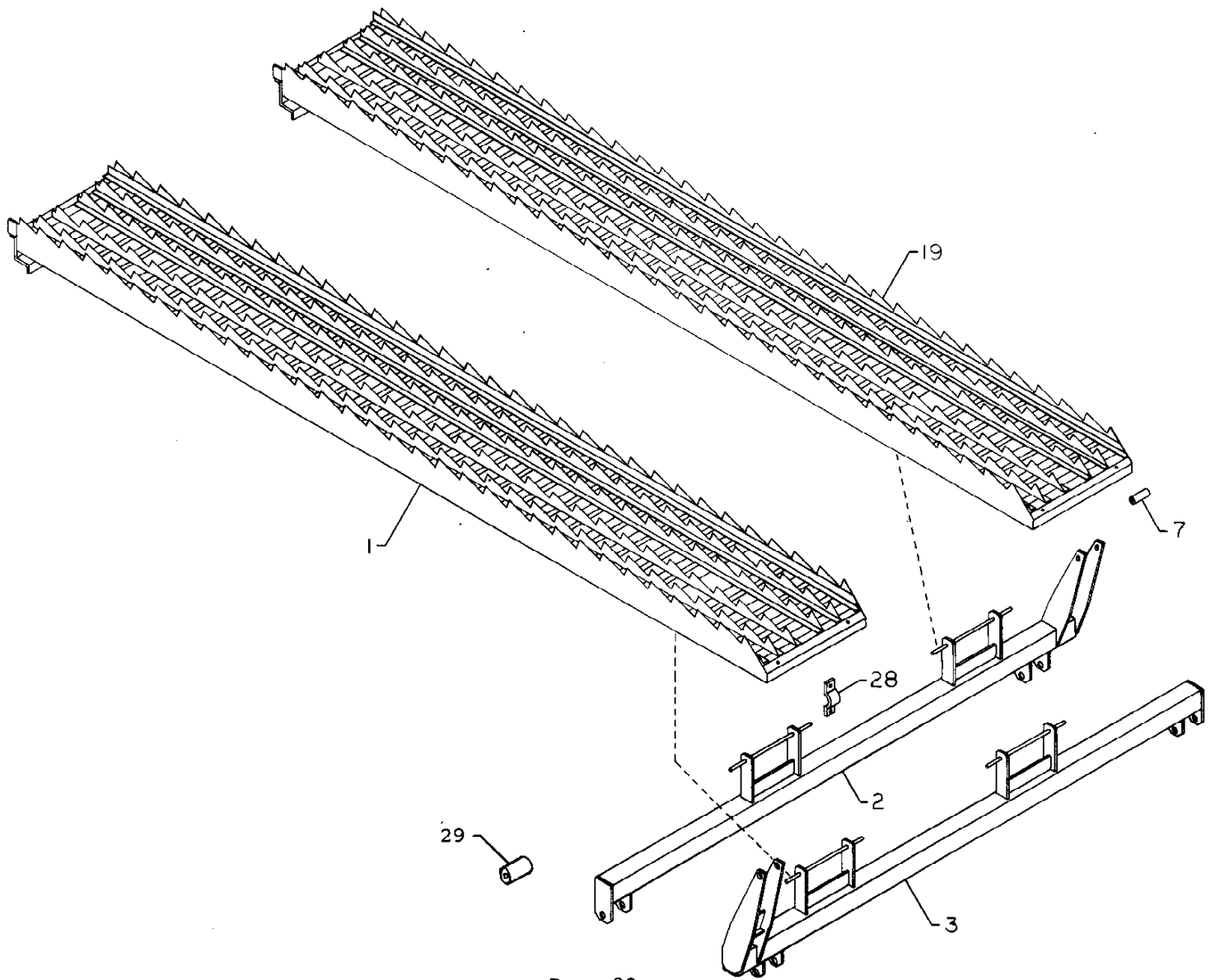
No.	Part No.	Description	No. Req'd	Replaces No.
15	120300	Cover, Straw Rack Drive Side, Right	1	12873
16	120301	Cover, Straw Rack Drive Side, Left	1	12874
17	120296	Cover, Stripper Cylinder Side, Right	1	12869
18	120297	Cover, Stripper Cylinder Side, Left	1	12870
24	6054	Nut, Idler Adjusting	1	--
36	6670	Bracket, Belt Adjustor	1	new
37	120304	Deflector, Right	1	new
38	120305	Deflector, Left	1	new

Page 9



CLEANING SHOE SECTION

No.	Part No.	Description	No. Req'd	Replaces No.
22	12849	Finger, Screening Size 80, Even	5	12848
24	6668	Pitman, Vibrating Screen Drive	1	6076 or 6667
45	120302	Plate, Material Guide, Right	1	12871
46	120303	Plate, Material Guide, Left	1	12872

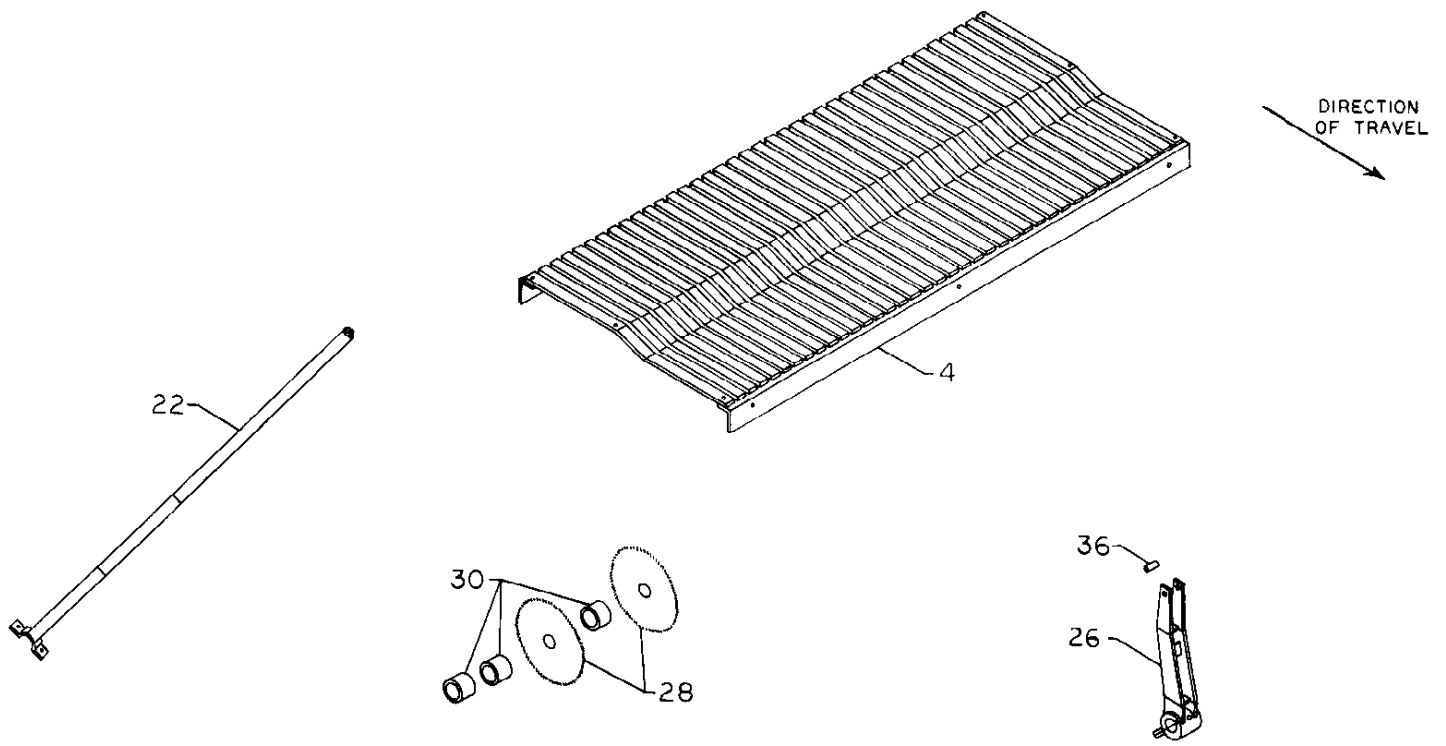


Page 20

STRAW RACK SECTION

No.	Part No.	Description	No. Req'd	Replaces No.
1	120306	Rack, Straw No. 2 & No. 4	2	12838
2	6662	Shaft, Straw Rack Rock, Rear	1	10105
3	6663	Shaft, Straw Rack Rock, Front	1	10106
7	2154	Sleeve, Rubber Bushing Insert 2" Long	2	1032
19	120307	Rack, Straw No. 1 & No. 3	2	12839
28	6666	Clamp, Rubber Bushing Retainer 1-3/4" wide	8	9418C
29	4044	Bushing, Rubber	4	"

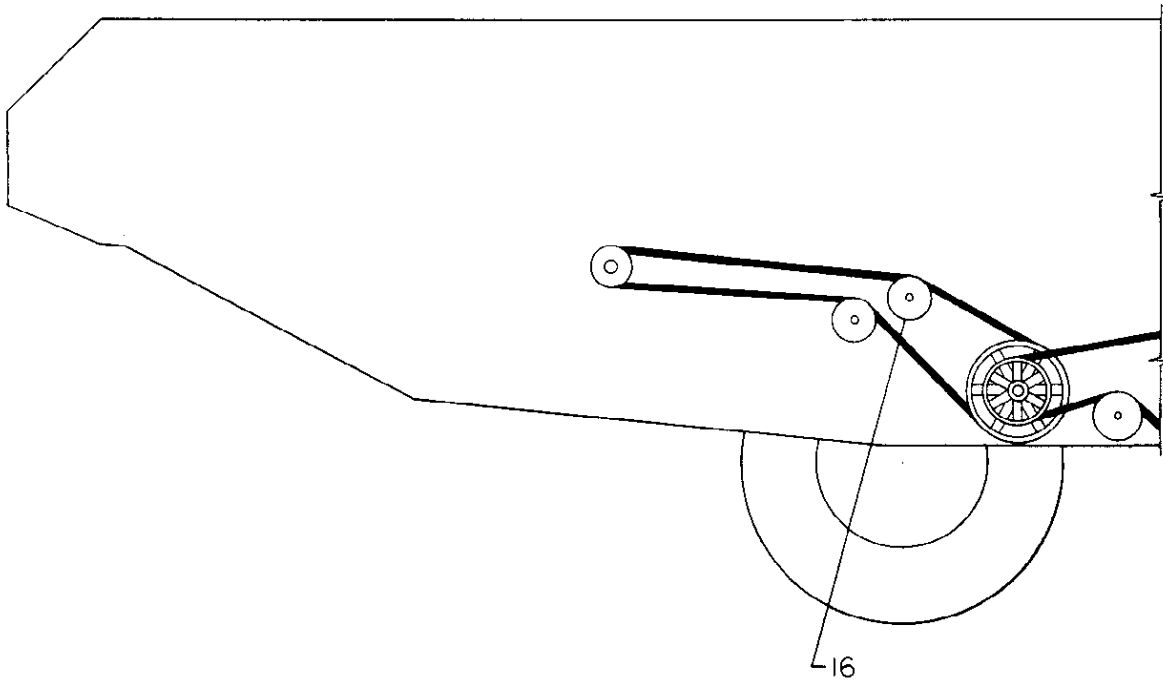
NOTE: Parts 6172, 3058 and 3020 have been deleted because of the updating process.



Page 22

STEMMER SECTION

No.	Part No.	Description	No. Req'd	Replaces No.
4	120213	Bottom, Stemmer (Virginia Peanuts)	1	--
-	120142	Bottom, Stemmer (Spanish Peanuts)	as req'd	--
-	12856	Bottom, Stemmer (For U.S.A.)	as req'd	--
22	6665	Pitman, Cleaning Shoe Drive, Right	1	6184 or 6671
26	6669	Arm, Cleaning Shoe Drive Pitman, Right	1	6048 or 6658 on right side only
28	5150	Saw, 72 Tooth Stemmer (For Va. Peanuts)	66	--
-	5150	Saw, 72 Tooth Stemmer (For Spanish Peanuts)	70	--
-	5150	Saw, 72 Tooth Stemmer (For U.S.A.)	74	--
30	2148	Spacer, Stemmer Saw (For Va. Peanuts)	70	--
-	2141	Spacer, Stemmer Saw (For Spanish Peanuts)	74	--
-	2076	Spacer, Stemmer Saw (For U.S.A. Optional)	78	--
36	2154	Sleeve, Rubber Bushing Insert, 2" long	1	1032



Page 32

---

DRIVE SECTION, RIGHT SIDE

No.	Part No.	Description	No. Req'd	Replaces No.
16	5208	Idler, 6" Flat Belt	1	5207

Page 33