

# TABLE OF CONTENTS

CAT231  
1st Edition  
August 28, 2002

## MODEL A918BX MACHINE ID M6518JD 18FT. EDIBLE BEAN HEADER

Beginning Serial #390691

Section	Page
1 Header Pick-Up.....	3
2 Header Auger.....	5
3 Left Side Drives & Shields.....	7
4 Right Side Shields.....	9
5 Gauge Wheels & Vine Hold-Down.....	11
6 Gauge Wheel Hub Assembly.....	13
John Deere Parts Listing	

### NOTES

The Terms "Left" and "Right" used in the description of parts are determined by facing the direction of travel of the machine.

"A/R" found in the "No. Req'd" column denotes "As Required".

"OPT" found in the "No. Req'd" column denotes "Optional".

---

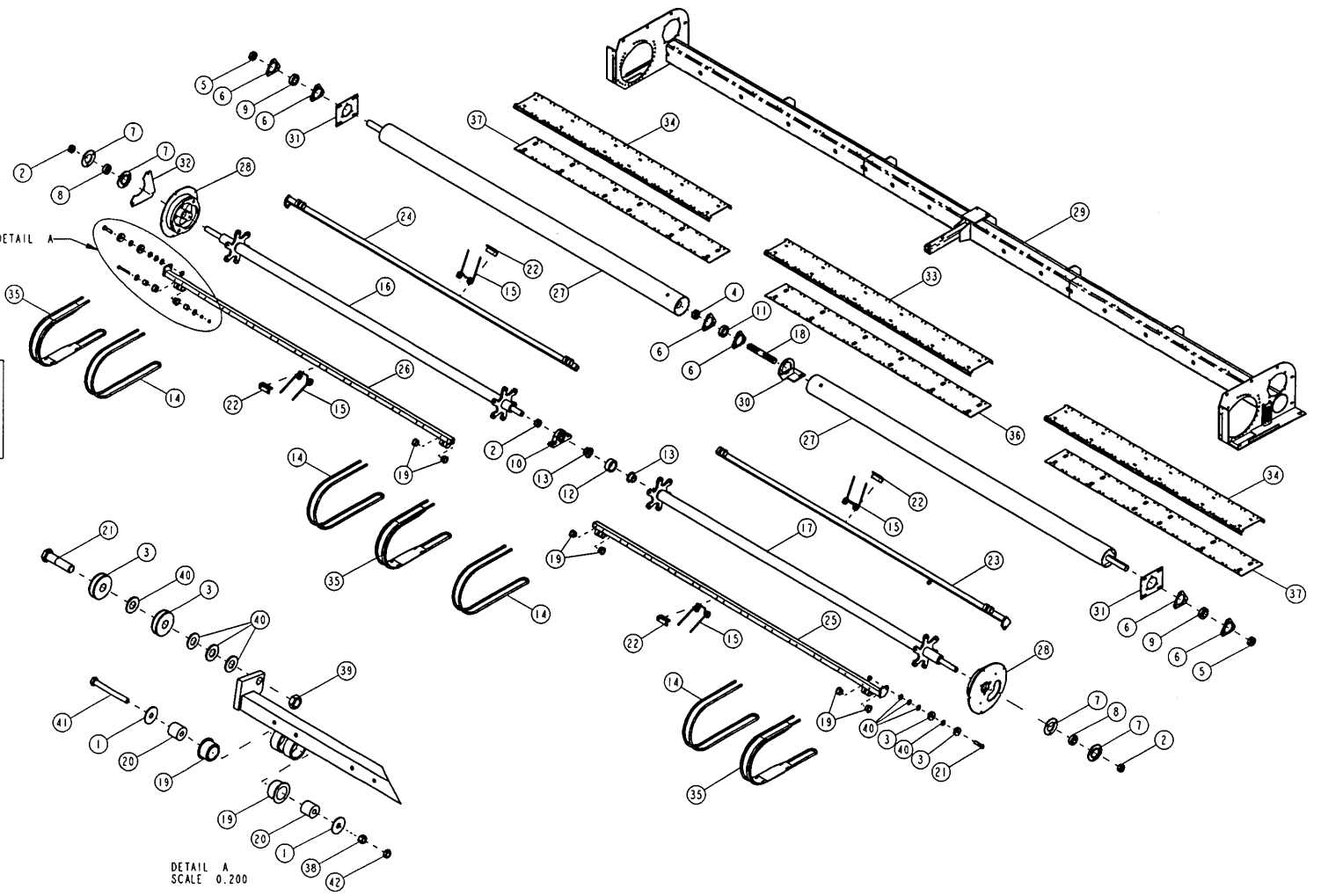
1100 Holland Road Suffolk, VA 23434 U.S.A.  
(757) 539-0231 / Fax - (757) 934-3264

1701 S. Slappey Blvd./P.O. Box 3687 Albany, GA 31706  
(229) 439-2217 / Fax (229) 439-9343

**A M A D A S**  
INDUSTRIES

SEE DETAIL A

PAGE 2

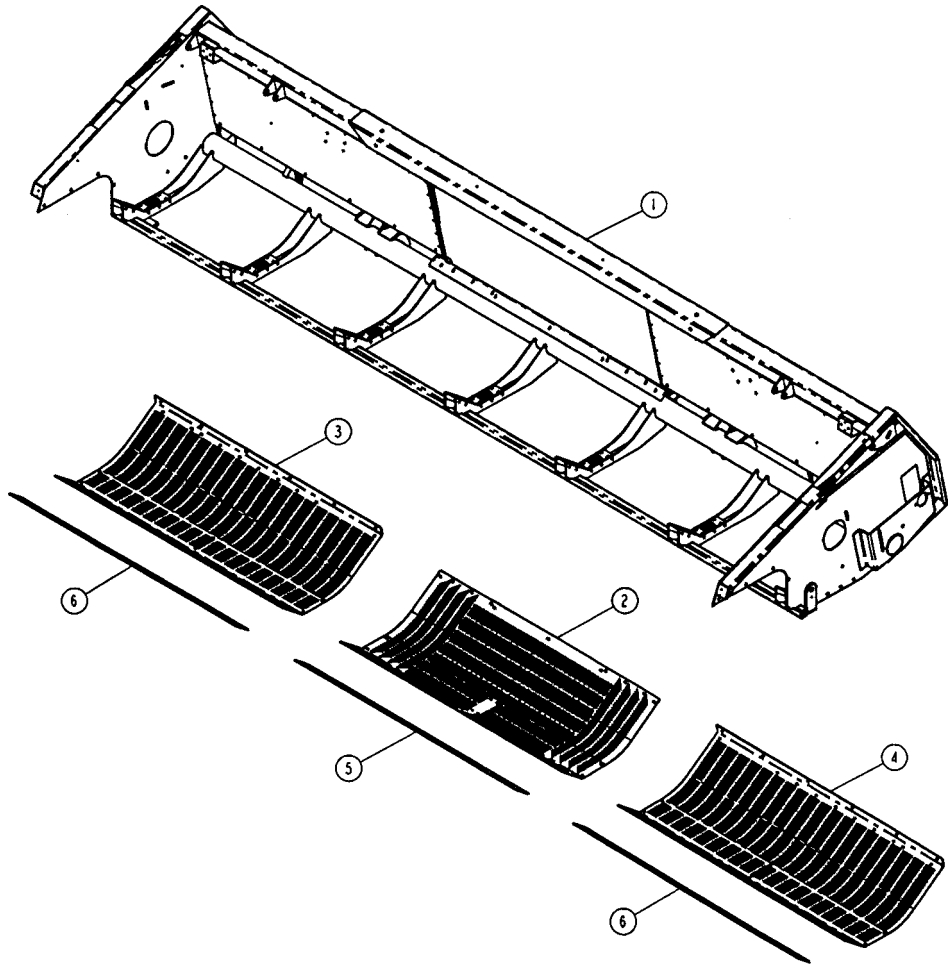


DETAIL A  
SCALE 0.200

BEAN HEADER PICK-UP

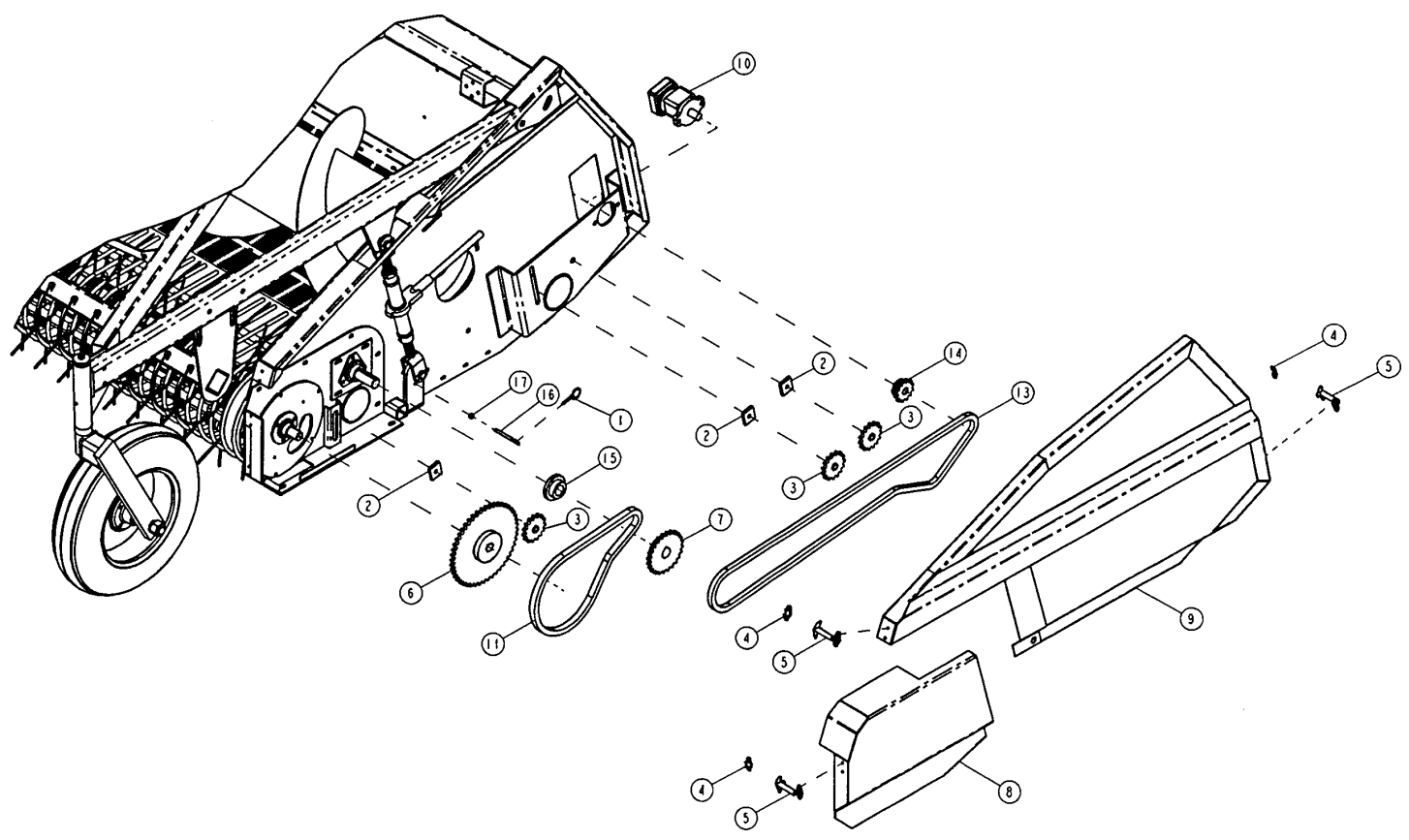
ITEM	PART NUMBER	DESCRIPTION	QTY SHOWN	QTY REQ'D	COMMENTS
1	1641	WASHER, 1-3/8 X 13/32 X 14GA.	2	48	
2	3005	COLLAR, 1.3/16 ECC. LOCKING	3	A/R	
3	3010	BEARING, 5/8 CAM FOLLOWER RADIAL	4	24	
4	3077	COLLAR, 1-3/8 ECCENTRIC LOCKING	1	A/R	
5	3080	COLLAR, 1-7/16 ECCENTRIC LOCKING	2	A/R	
6	3091	FLANGETTE, 72MS FOR 1-3/8 & 1-7/16 BEARING	6		
7	3093	FLANGETTE, 62MS FOR 1.3/16 BEARING	4		
8	3096	INSERT, 1.3/16 REPLACEMENT BEARING	2		
9	3098	INSERT, 1-7/16 REPLACEMENT BEARING W/COLLAR	2		
10	3171	BEARING, 1.3/16 PILLOW BLOCK	1		
11	3187	INSERT, 1-3/8 WIDE INNER RING	1		
12	4480	CHAIN, COUPLING ROLLER	1		
13	5730	COUPLING, C4016 X 2/1.3/16	2		
14	7081	BAND, PICK-UP; 1/2" ROUND	4	46	
15	7083	SPRING, TORSION; 56 DEG.	4	144	
16	10816	ROTOR, RIGHT 18' BEAN HEADER PICKUP (STS)	1		
17	10817	ROTOR, LEFT 18' BEAN HEADER PICKUP (STS)	1		
18	10854	SHAFT, EXTENSION 1-3/8 6 SPLINE	1		
19	20178	BUSHING, POLY. (STRIP./HEADER); 7/8 LONG	8	48	
20	20179	BUSHING, 1.063 OD X .406 ID X .948 AST	2	48	
21	20571	SCREW, 5/8-18 X 2-1/2; 1/4 HEAD	2	12	
22	61710	PLATE, SPRING RETAINER	4	144	
23	61718	BAR, LEFT 18' BEAN HEADER PICKUP (STS)	1	3	
24	61719	BAR, RIGHT 18' HEADER PICKUP (STS)	1	3	
25	61720	BAR, LEFT 18' BEAN HEADER PICKUP (STS)	1	3	
26	61721	BAR, RIGHT 18' BEAN HEADER PICKUP (STS)	1	3	
27	61722	ROLLER, 18' VINE (STS)	2		
28	93555	CAM, PEANUT	2		
29	93642	FRAME, 18' BEAN HEADER PICK-UP (STS)	1		
30	93682	MOUNT, CENTER BEARING	1		
31	127045	MOUNT, 3-HOLE FLANGE BEARING	2		
32	127212	PLATE, HEADER BAR BEARING ACCESS	1		
33	127222	PLATE, HEADER BAND MOUNTING	1		
34	127226	PLATE, HEADER BAND MOUNTING	2		
35	127437	BAND, HEADER	3		
36	127473	PLATE, HEADER BAND MOUNTING	1		
37	127474	PLATE, HEADER BAND MOUNTING	2		
38	G120377	NUT, 3/8-16 USS; GRADE 5	1	24	
39	G124944	NUT, 5/8-18 SAE JAM	3	12	
40	G131016	WASHER, 5/8 SAE FLAT	8	48	
41	G189306	SCREW, 3/8-16 X 3-1/2 USS CAP; GRADE 8	1	24	
42	G431799	LOCKNUT, 3/8-16 USS NYLOCK HEX	1	24	

PAGE 4



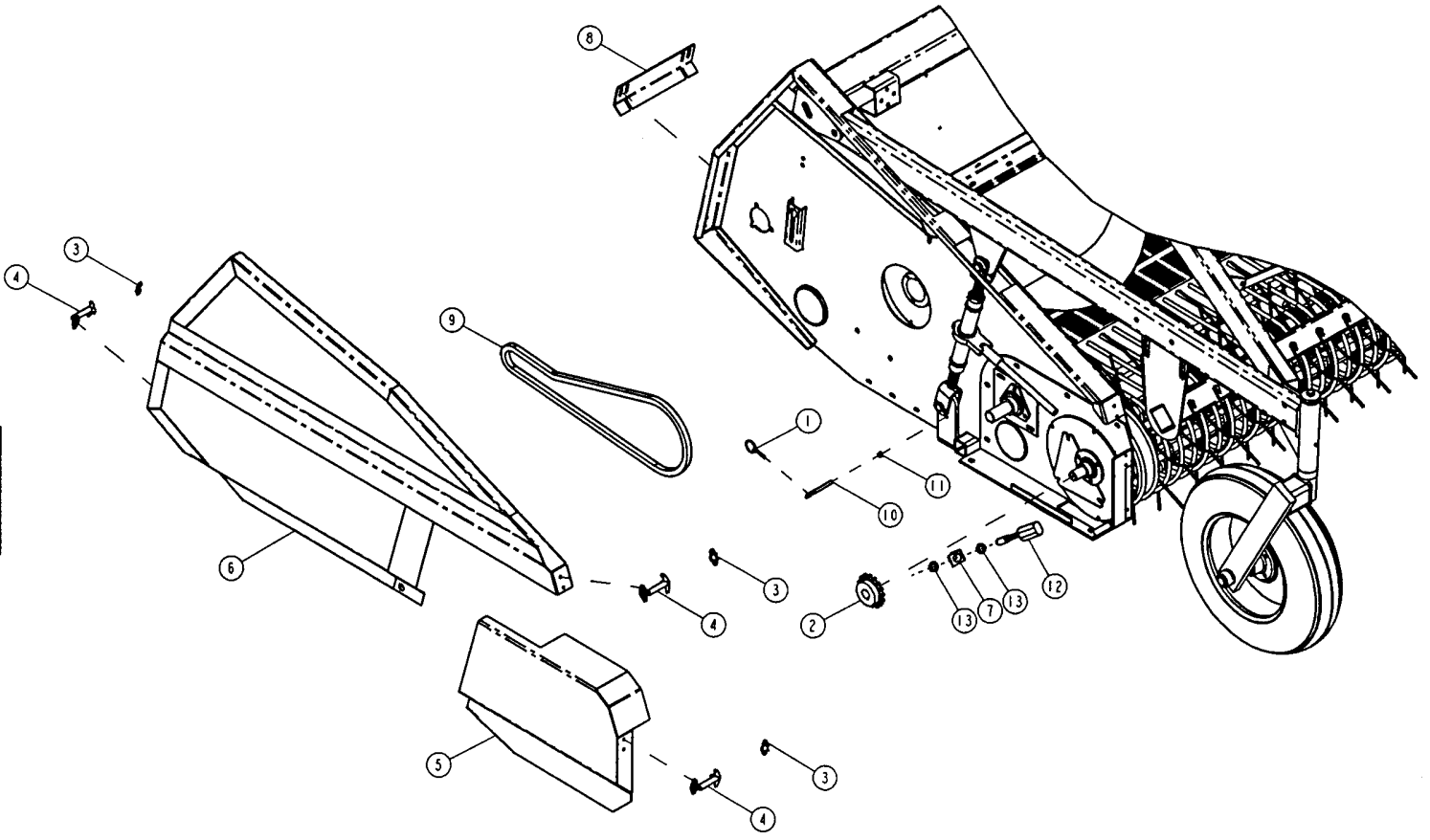
BEAN HEADER AUGER

ITEM	PART NUMBER	DESCRIPTION	QTY SHOWN	QTY REQ'D	COMMENTS
1	93641	FRAME, 18' BEAN AUGER (STS)	1		
2	127223	PLATE, BEAN AUGER FRAME CENTER FLOOR	1		
3	127224	PLATE, RIGHT 18' BEAN AUGER FRAME FLOOR	1		
4	127225	PLATE, LEFT 18' BEAN AUGER FRAME FLOOR	1		
5	127294	STRIPPER, 18' BEAN HEADER VINE ROLLER (STS)	1		
6	127295	STRIPPER, 18' BEAN HEADER VINE ROLLER (STS)	2		



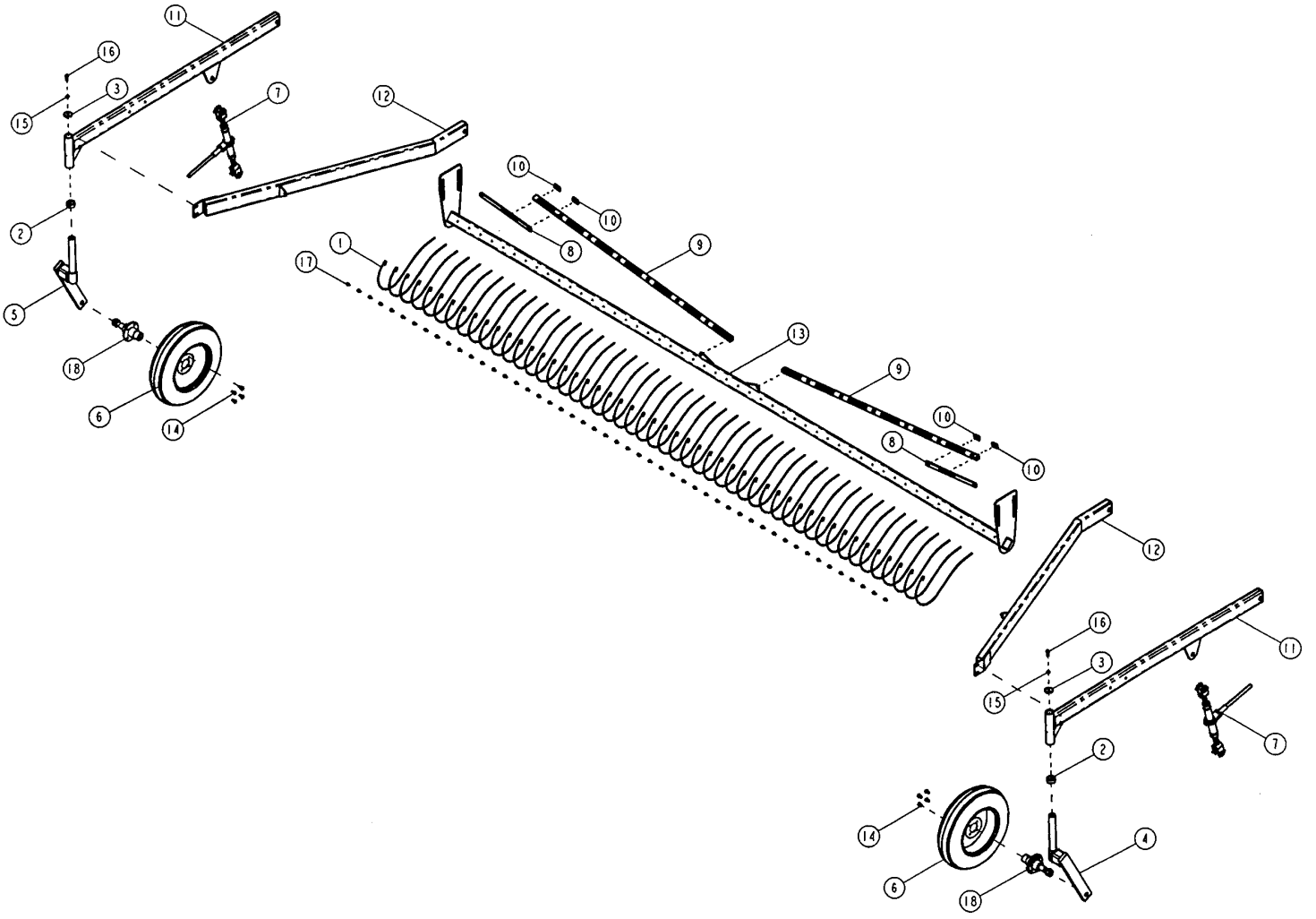
LEFT SIDE DRIVES & SHIELDS

ITEM	PART NUMBER	DESCRIPTION	QTY SHOWN	QTY REQ'D	COMMENTS
1	1400	PIN, LYNCH, 1/4" STANDARD	1		
2	2020	NUT, 5/8-11, 2X1-3/4 IDLER ADJ	3		
3	5122	IDLER, NO. 60 CHAIN SPROCKET	3		
4	7023	CATCH, HOOK	3		
5	7024	HOOK, SPRING LOADED; 90 DEGREE	3		
6	51051	SPROCKET, 60B48 F1-3/16	1		
7	51079	SPROCKET, 60B24 F1-7/16; 2 SETSCREWS	1		
8	127309	SHIELD, LEFT BEAN PICK-UP (STS)	1		
9	127311	SHIELD, LEFT BEAN HEADER (STS)	1		
10	140438	MOTOR, HYD. RS SERIES; 5.4 CU. IN.	1		
11	4043-69	CHAIN, NO. 60 ROLLER, 67 PITCHES+CONN.+OFFSET	1		
12	4043-93	CHAIN, NO. 60 ROLLER, 91 PITCHES+CONN.+OFFSET	1		
13	4043-134	CHAIN, NO. 60 ROLLER, 132 PITCHES+CONN.+OFFSET	1		
14	60B12-1	SPROCKET, 60B12 F1	1		
15	60B13-1-7	SPROCKET, 60B13-1-7	1		
16	G100030	BOLT, HANGER 3/8-16 X 4-1/4	1		
17	G128001	NUT, 5/16-18 SERRATED FLANGE	2		



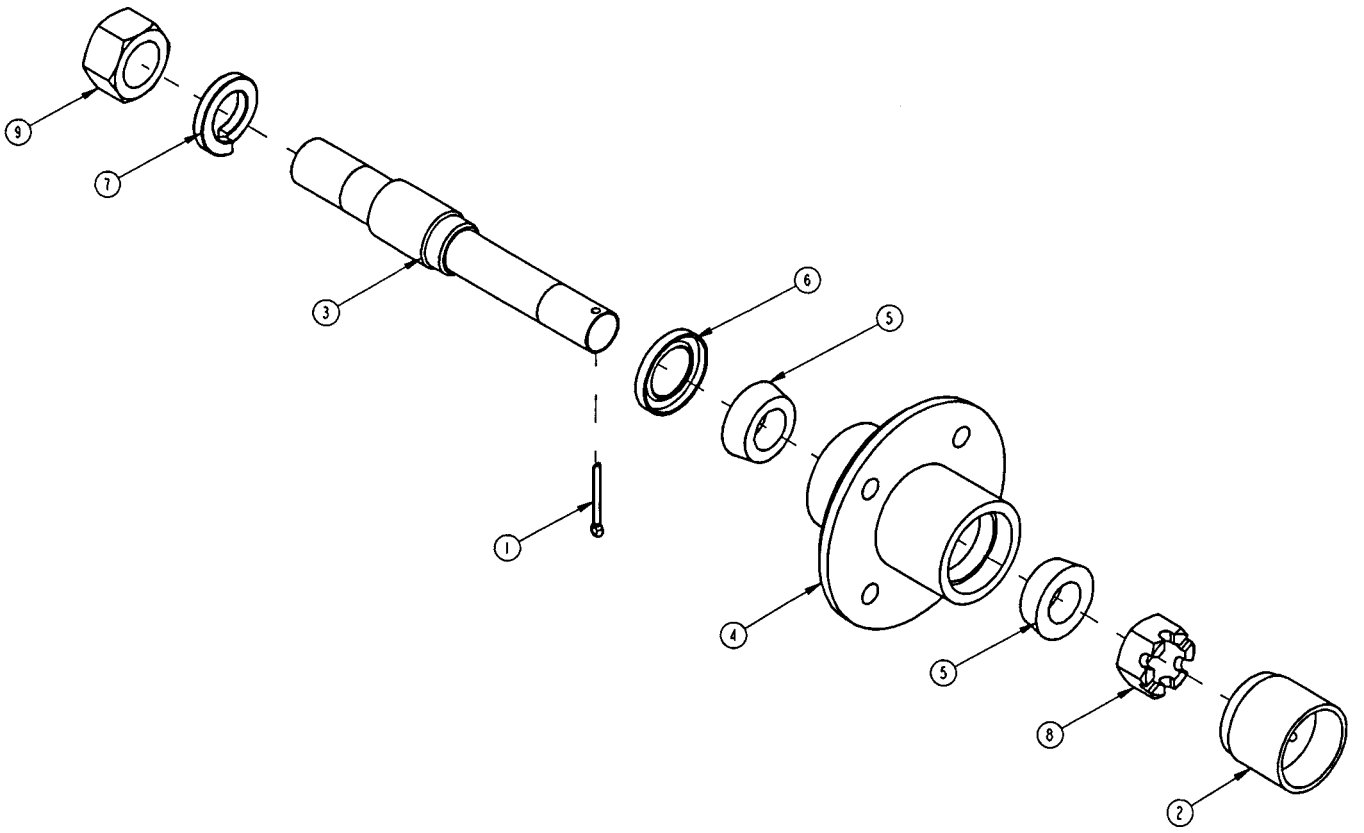
RIGHT SIDE SHIELDS

ITEM	PART NUMBER	DESCRIPTION	QTY SHOWN	QTY REQ'D	COMMENTS
1	1400	PIN, LYNCH, 1/4" STANDARD	1		
2	5198	SPROCKET, 60B16 F1-3/16	1		
3	7023	CATCH, HOOK	3		
4	7024	HOOK, SPRING LOADED; 90 DEGREE	3		
5	127310	SHIELD, RIGHT BEAN PICK-UP	1		
6	127312	SHIELD, RIGHT BEAN HEADER (STS)	1		
7	127424	BRACKET, PICK-UP	1		
8	127583	BRACKET, SHIELD MT'G	1		
9	4043-93	CHAIN, NO.60 ROLLR, 91 PITCHES+CONN.+OFFSET	1		
10	G100030	BOLT, HANGER 3/8-16 X 4-1/4	1		
11	G128001	NUT, 5/16-18 SERRATED FLANGE	2		
12	JAH116104	SENSOR, SHAFT SPEED (40-47)	1		
13	JH104418	NUT, SENSOR FOR TRANSMISSION	2		



GAUGE WHEELS & VINE HOLD-DOWN

ITEM	PART NUMBER	DESCRIPTION	QTY SHOWN	QTY REQ'D	COMMENTS
1	7420	SPRING,VINE HOLD-DOWN	49		
2	20632	BUSHING, CASTER; 1" LONG	2		
3	20633	CAP, CASTER SPACER	2		
4	61749	CASTER, LEFT GAUGE WHEEL	1		
5	61750	CASTER, RIGHT GAUGE WHEEL	1		
6	80114	ASSEMBLY, TIRE & RIM A78-13ST 4-4	2		
7	80453	JACK, RACHET	2		
8	93565	BAR,VINE HOLD-DOWN SUPPORT	2		
9	93614	TUBING,VINE HOLD-DOWN SUPPORT	2		
10	93615	BAR,VINE HOLD-DOWN CLAMPING	4		
11	93675	MOUNT, GAUGE WHEEL	2		
12	93678	TRUSS, GAUGE WHEEL	2		
13	93808	FRAME,VINE HOLD-DOWN;18' STS	1		
14	80113E	BOLT, LUG	8		
15	G120384	LOCKWASHER, 1/2	2		
16	G180177	SCREW, 1/2-13 X 1-1/2 USS CAP	2		
17	G180079T	SCREW, 5/16-18 X 1 TAP. WASHERHEAD	49		
18	S80113	ASSEMBLY, HUB,CUP, CONE&ROLLERS,SEAL	2		



GAUGE WHEEL HUB

ITEM	PART NUMBER	DESCRIPTION	QTY SHOWN	QTY REQ'D	COMMENTS
1	2212	PIN, COTTER 5/32X1-1/2	1		
2	3204	PROTECTOR, BEARING (BT-8)	1		
3	10749	SPINDLE, CASTER	1		
4	80113A	ASSEMBLY, HUB & CUP ONLY	1		
5	80113B	CONE & ROLLER ASSEMBLY, FOR 1" SHAFT	2		
6	80113C	SEAL, FOR 1" BEARING	1		
7	G131051	LOCKWASHER, 1-1/8	1		
8	G272325	NUT, 1-14 SAE HEX SLOTTED	1		
9	G273208	NUT, 1-1/8 -12 SAE	1		

**PARTS FOR 918 EDIBLE BEAN HEADER FOR JOHN DEERE STS  
900 R AND F CUTTING PLATFORMS PARTS CATALOG  
PC2771**

PART NO.	DESCRIPTION	QTY
AH116104	Sensor, Shaft Speed (40-47)	1
AH128241	Coupler, Hyd Qk Disconnect W/Lever	1
AH138180	Sprocket, Chain; 13 Teeth	1
AH148573	Sprocket, Chain; 40 Teeth	1
AH149325	Kit, R.H. Auger Mounting W/Bracket	1
AH151356	Adjusting Strap	1
AH153804	Bracket	1
AH155077	U-Joint, W/Shaft & Shield	1
AH155215	Bracket, R.H. Marker Light	1
AH155216	Bracket, L.H. Marker Light	1
AH162064	Coupling	1
AH163087	Shield, R.H.	1
AH163088	Shield, L.H.	1
AH164497	Light	2
AH171884	Support, Finger	25
AH202543	Auger, 18' W/O Hard Face	1
AH202788	Kit, Retainer	2
AH20443	Sprocket, Chain	1
AN102010	Bearing	5
AR94522	Coupler, 8 Orb Fem-1/2" QD Male	1
A15898	Cap	1
A31870	Locknut	2
H101677	Jaw	1
H101678	Hub	1
H104418	Nut, Sensor For Transmission	2
H109855	Spring	1
H117229	Yoke, Clamp Quick Disc Coupler	1
H125403	Plug	1
H128039	Bracket, Quick Disc Mounting	1
H135058	Shaft, Auger	1
H135901	Stripper, (918)	2
H136046	Cover	3
H136110	Isolator, Hand Rail; SAE Lights	4
H136751	Decal, Header Latch Plate	1
H137143	Plate,	2
H138262	Support, R.H.	1
H138263	Support, L.H.	1
H147699	Eyebolt	3
H153589	Shaft, Drive;18'	1
H153594	Shaft	1
H153595	Spacer	1
H153899	Pin	1
H161529	Housing, Pressed Flanged	10
H161618	Clamp, Light Bracket	4
H161892	Tube	1
H161926	Shield, Inner	1
H161927	Shield, Outer	1
H162189	Retainer	1
H162662	Finger, Auger (Steel)	25
H165099	Shaft, Right	1
H166762	Shaft, Finger	1

H168246	Ring	1
H168297	Shield	1
H168575	Housing	1
H172176	Bracket	1
H172535	Support, Hex Shaft	1
H174360	Crank	2
H86918	Screw, Finger	50
H87044	Guide, Finger	24
H87192	Cap, Finger	25
H99303	Washer	1
M84972	Nut	6
03M7380	Bolt, Crank	4
14M7275	Nut, M12	6
14M7296	Nut, M10 Flange	12
14M7299	Nut, M12 Flange	4
14M7396	Locknut, M8 Flange	26
14M7400	Locknut, M10 Flange	1
14M7401	Locknut, M12	8
19M7775	Screw, M6 X 16	6
19M7791	Screw, M12 X 40	4
19M7802	Screw, M8 X 65	1
19M7807	Screw, M10x60	1
19M8319	Screw, Finger	25
24M7242	Washer, 21.4 X 42 X 5mm	4
38H1162	Hydf, -10 Orb X 10 ORF M Adapter	2

X402